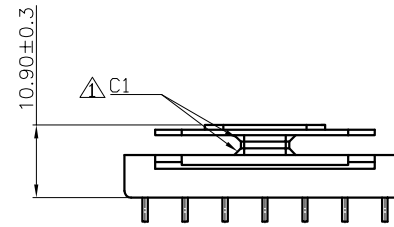
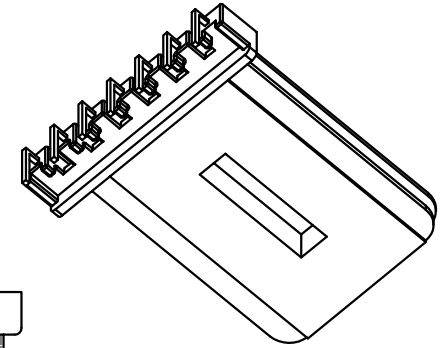
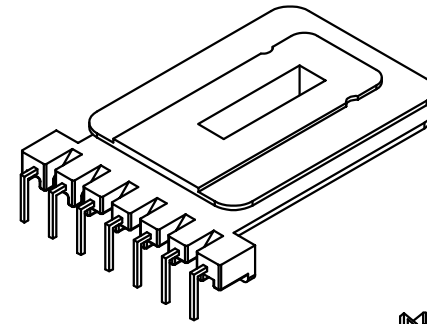
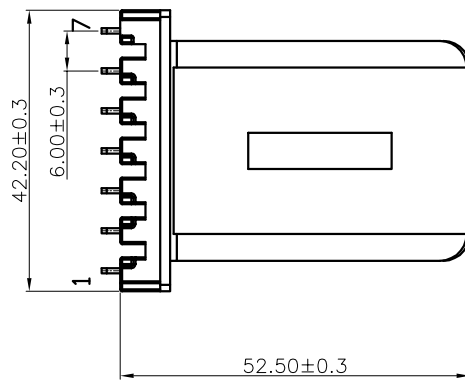
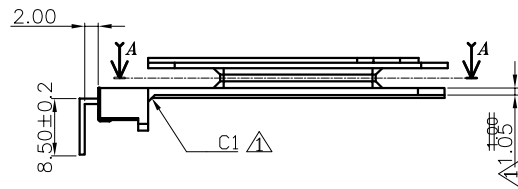
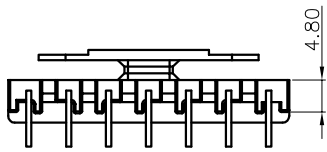
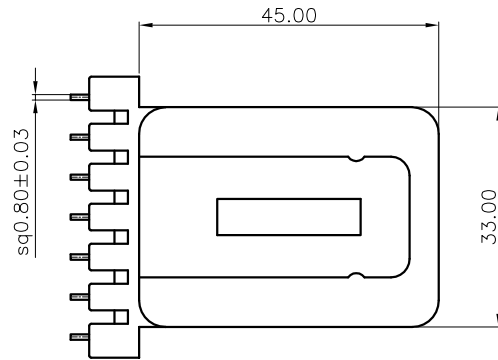


SECTION A-A



△					
△					
△					
△	변형 및 특수으로 살포장 (3곳)		13.02.26	HK, Yang	SH, Kim C, Park
MARK	REVISION NOTE		DATE	DRAWN	CHECKED APPROVED
DRAWN	CHECKED	APPROVED	MATERIAL : PHENOL	UL REC. : UL94V-0	THIRD ANGLE PROJ.
B M, Won	D B, Han	J B, Lim	Z : PIN LENGTH (According to customer's request)	DATE : 2012.04.17	SCALE : 1/1
주식회사 대흥보빈 DAE HEUNG BOBBIN CO., LTD			TITLE	DWG NO	UNIT : m/m
			EE 41*17 "V" (7P)(B)	DH-120510-2088-01	